

Proudly



MADE IN USA



- Dual-beam CO₂-sensing technology
- Fail-safe wiring protection
- 24-hour occupancy-capable:
No correction algorithm needed
- Mounts in single-gang outlet box
- Switch-selectable output mode:
0-5V, 0-10V, or 4-20mA with easy slider switch

Ultra Low Profile

irSense Model 315 CO₂ Sensor

The AirSense Model 315 is the sleek new member of the AirSense HVAC CO₂ sensor family. Rising only about a quarter inch from the wall, it discreetly blends-into any architectural motif. But don't be fooled by its slim profile: inside is a powerhouse of modern sensor technology! The compact dual-beam detection system ensures accurate operation without the need for a "self calibration" algorithm and its attendant operational limitations. The Model 315 can be used with any building occupancy profile!

The AirSense Model 315 mounts conveniently in a standard single-gang junction box. The labeled and pluggable connector makes wiring quick and easy. All screw terminal connections can be made beforehand. And thanks to built-in circuit protection, the Model 315 will not be damaged even if it is mis-wired during installation.

Just set the slider switch to select the desired output (0-5V, 0-10V, or 4-20mA) and plug-in the connector! There are no jumpers to lose or complicated documentation to decipher.

The AirSense Model 315 can be ordered with LEDs to indicate CO₂ concentration (sometimes required for LEED certification), or without to make the Model 315 even more discreet when desired.

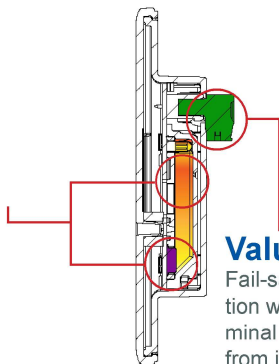
irSense Model 315 CO₂ Sensor

SIMPLY SMART

Performance

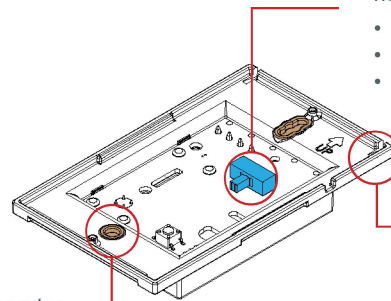
All new compact CO₂ sensor with a dual-beam detector increases precision and long-term stability.

Sub-micron particle filter.



Value

Fail-safe circuit protection with pluggable terminal prevents damage from installation errors



Convenience

Mounts in a standard single-gang junction box and connector can be pre-wired

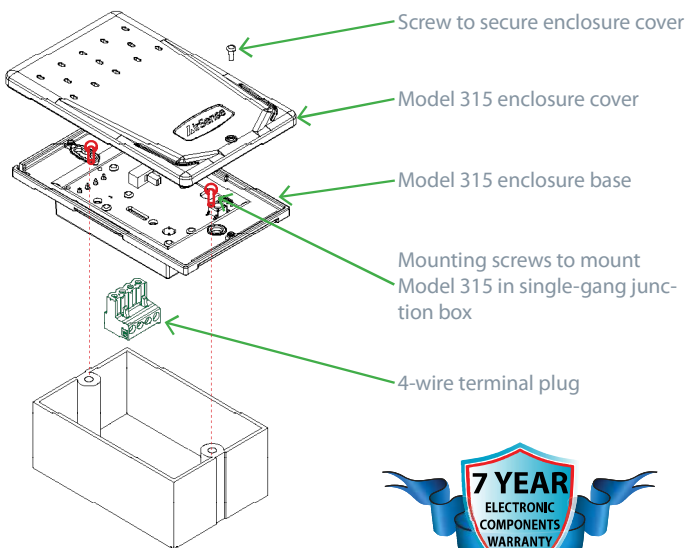
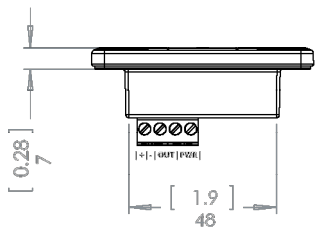
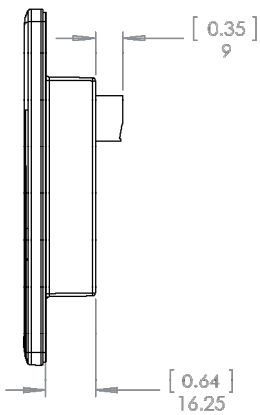
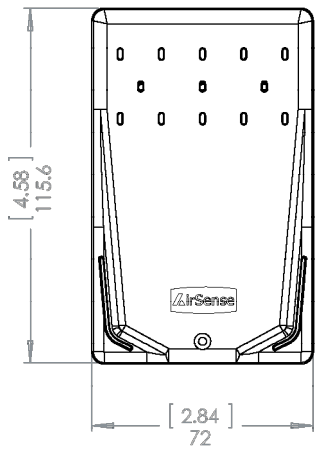
Simplicity

Switch-selectable output
no jumpers to lose

- 4-20 mA output
- 0-5 V output
- 0-10 V output

Design

0.28" profile height handsomely integrates into any architectural decor



Junction box depicted is for illustration purposes; not included with sensor.

Parameter	Value
Operating Principle	Dual-beam non-dispersive infrared
Gas Sampling Method	Diffusion
Measurement Range	2,000 ppm or 5,000 ppm
Repeatability	± 20 ppm CO ₂
Measurement Accuracy	± 30 ppm ± 2% of reading
Recommended Calibration Interval	5 years
Response time	Less than 1 minute
Power Requirements	18 - 30 VDC or 18 - 28 VRMS AC
Operating Temperature Range	10 - 50° Celsius
Operating Humidity Range	0 - 95% RH, non-condensing
Analog Output (linear), field-selectable with slider switch	0 - 5 Volts DC, 0 - 10 Volts DC, or 4-20 mA (R _L > 500 Ohms)
Calibration	Single gas: 2,000 ppm (kits available)
Dimensions	2.84" W x 4.58" H x 0.28" T above wall surface when mounted in junction box
Weight	5.85 oz (0.17 kg)
Enclosure Material	UV-stabilized and UL 94V-0 fire-resistant ABS plastic
Warranty	7 years on electronic components, 3 years on NDIR sensor

ORDERING TABLE

MODEL	DESCRIPTION
315	CO2 SENSOR
	TOP OF SCALE
BLANK	2,000 PPM (Standard)
5K	5,000 PPM
	LED INDICATOR
BLANK	STANDARD LED INDICATOR (Green, Yellow, and Red LED)
NL	DISABLE LED INDICATOR (for discreet applications: i.e. movie theaters, museums, etc.)
	ENCLOSURE COLOR
BLANK	White (Standard)
BK	Black

EXAMPLE: 315-5K-BK Wall-mount CO₂ sensor with 5,000 ppm top of scale. Black enclosure.

* Note: installation requires a standard SINGLE-GANG OUTLET BOX

Made in America

The AirSense Model 315 is designed, engineered, and manufactured in Beaverton, Oregon.

Get more for less!

Robust accuracy
Easy installation
Compact styling
Long warranty



REV10 2/20



6475 SW Fallbrook Place • Beaverton, OR 97008 • USA • www.dcs-inc.net

Phone: (503) 246-8110 • Toll free: (877) 468-6337 • Fax: (503) 246-6747

